



Glazing, Industrial, Construction
and Automotive Supplies
Phone Toll Free (800)421-6144
Fax Toll Free (800)262-3299

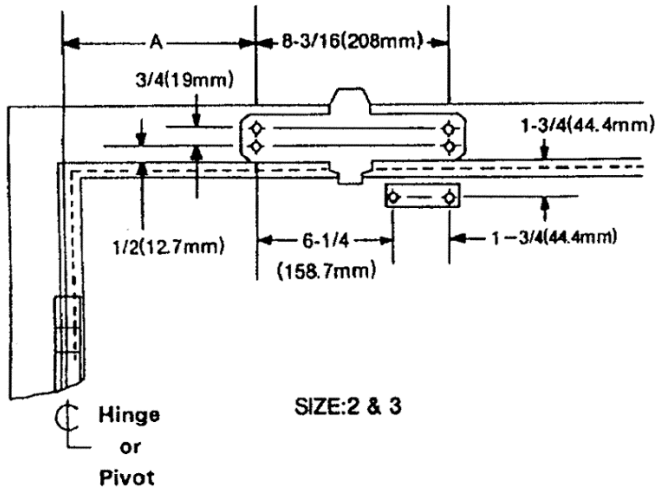
Locations to Serve the Industries
Throughout North America & Europe

Corp. Hdqts: P.O. Box 58923, Los Angeles, CA 90058-0923
Website Address: www.crlaurence.com

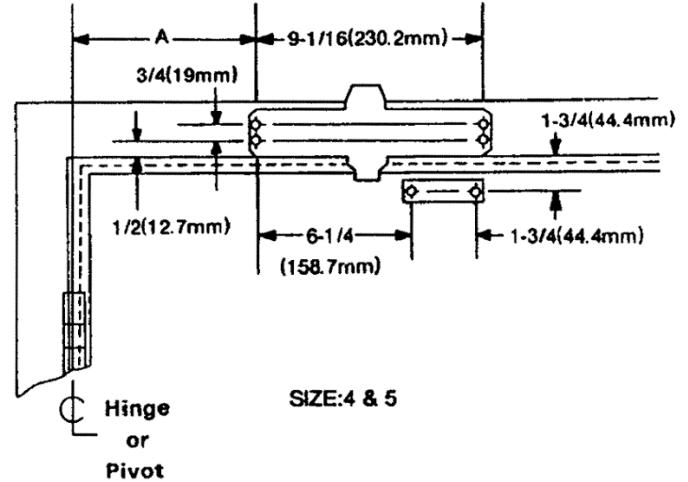
Model: DC50 Series
Size : 2, 3, 4, 5.

Installation Instructions for TOP JAMB (PUSH SIDE) Mounting

THIS TEMPLATE COVERS TOP JAMS INSTALLATIONS TO 180° OPENINGS.



SIZE: 2 & 3



SIZE: 4 & 5

- Left hand door shown
- Right hand door opposite
- Dimensions are in inches
- Do not scale drawing

OPENING	DIM. A SIZE: 2 & 3	DIM. A SIZE: 4 & 5
To 120°	6 1/2 (165.1mm)	6 1/2 (165.1mm)
120°-180°	4 (101.6mm)	4 (101.6mm)

INSTALLATION INSTRUCTIONS

1. Select door opening angle and use dimensions shown above, mark four(4) holes on frame for door closer and two(2) holes on door of arm shoe.
2. Drill pilot holes in door and frame for #14 all-purpose screws or drill and tap for 1/4-20 machine screws.
3. Install forearm/arm shoe assembly to door using screws provided.
4. Mount closer on frame using screws provided. SPEED ADJUSTING VALVE MUST BE POSITIONED TOWARD HINGE EDGE.
5. Install main arm to top pinion shaft, perpendicular to door as shown below. Secure tightly with arm screw/washer assembly provided.
6. Adjust length of forearm so that forearm is perpendicular to frame when assembled to preloaded main arm (illustration below). Secure forearm to main arm with screw/washer assembly provided.
7. Snap pinion cap over shaft at bottom of closer.
8. Adjust closing speed of door, following instructions as shown

OPENING CYCLE

- NOTE: These instructions apply only to closers equipped with backcheck.
- To increase backcheck intensity, turn valve marked "BC" clockwise.
 - To decrease backcheck intensity, turn valve marked "BC" counter-clockwise.

